



PD 840 15 ch. Analogue In

- Analogue inputs for 4-20 mA signals
- Programmable in COPP
- P-NET via Light-Link
- Overload/Underload protection and Alarming
- Advanced internal self testing
- LED for power On and Error indication
- Wide Power Supply range
- Wide Temperature range
- Low Power Consumption

APPLICATION

PD 840 is a device in the M100 series with analogue channels. The device offers 15 channels as interface for various types of transmitters with signal output in the range 4-20 mA.

All channels are protected against overload and short-circuit to both negative and positive supply voltage and notification can be enabled on any disconnection or process failure.

The device is programmable in COPP, which means that a part of, or complete automation application can be built and downloaded by the user. The program can make use of ready-made components to control and monitor any process or machine application, both locally in the device but also via the network interacting with other devices.

PD 840 is used with the BM 104 base module.

The device can be fixed to the base module by means of a screw.

SPECIFICATIONS

Analogue Current Input

Signal range (source) 0 - 22 mA
 Calibration error: @ Tamb. 20 °C Max. +/- 0.1 % of full scale
 Temperature coefficient Tc: Max. +/- 125 ppm / °C
 Resolution: 0.06 % of full scale
 Voltage drop across input at 20mA.....Nom. 0.8 V (40 Ω)
 Current limiter (Protection)..... Typ. 25 mA

Power Specifications

Supply voltage nominal 24 VDC
 Supply voltage 12-32 VDC
 Typ. internal power consumption (@ 24 VDC) 0.5 W

Environmental Conditions

Operation temperature.....-25 °C to +70 °C (*
 Storage temperature..... -40 °C to +85 °C
 Relative humidity < 95 % RH (non-cond.)
 Protection class IP40

(* Up to 70 °C @ 50 % load on all inputs.

...continues

BASE MODULE BM 104

PD 800 series DPIs and I/O devices are made up of two parts: The Terminal Base Module and the Electronics Device. The Terminal Base Modules are snap-locked directly on a DIN-Rail and interlocks with neighboring modules to ensure stability.

The Terminal Base Module has two terminals for all the channels for connection to the process signals, respecting the demand for only one wire in each terminal, ensuring a safe and straight forward design- and installation process.

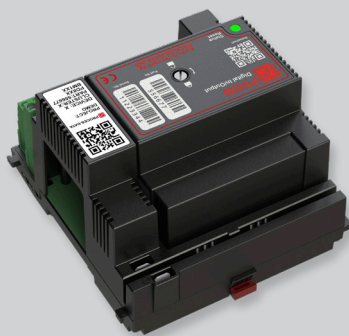
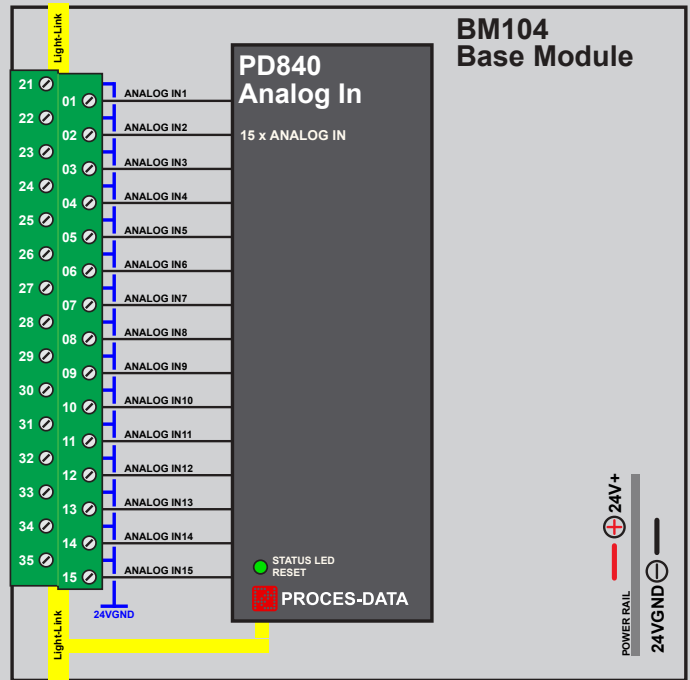
One of the two terminals is with the negative supply and the other is the input terminal. Having only one wire in each terminal will enable that the wiring to/from process signals can be done directly, without the need for any further intermediate terminals.

The Terminal Base provides also a power rail for connections to the power supply, as well as guides for the Light-Link interface.

Several I/O devices in the M100 series use a BM 104. The base module is available with either spring terminals or screw terminals.

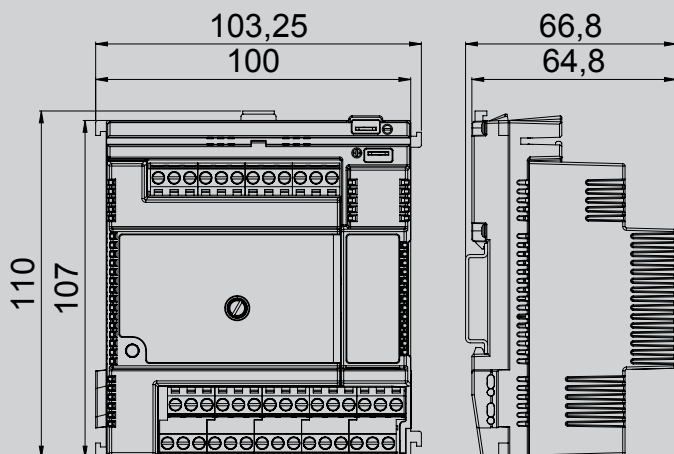
Power Specifications

Current supplied by power rail..... Max. 5 A
 Current at spade connectors Max. 10 A



Rear View

MECHANICAL (mm)



Mechanical Specifications

Dimensions (HxWxD)..... 66.8 x 103.3 x 110 mm
 Weight approx.....285 g
 Vibration IEC 60068-2-6 : 2007



PROCES-DATA

Navervej 8-10
 DK-8600 Silkeborg
 Tel. +45 87 200 300
 salesdepartment@proces-data.com
 www.proces-data.com

