



## PD 610 COPP GATEWAY

- P-NET, RS485 or CAN bus interface
- Programmable in COPP
- 100 Mbit Ethernet interface
- P-NET via Light-Link
- 256 KByte RAM, 512 KByte parallel Flash, 8 MByte serial Flash, 32 KByte MRAM
- LED for power On and Error indication
- Wide Power Supply range
- Wide Temperature range
- Low Power Consumption

### APPLICATION

A PD 610 COPP Gateway controller is used to provide communication gateway facilities for the local cluster via various communication interfaces:

- P-NET Light-Link, P-NET RS485, CAN bus or Ethernet.

The device is programmable in COPP, which means that a part of, or complete automation application can be built and downloaded by the user.

The program can make use of ready-made components to control and monitor any process or machine application, both locally in the device but also via the network interacting with other devices.

PD 610 uses the base module BM 020 that provides a RJ-45 connector for the Ethernet communication and screw terminals that can be used for either the P-NET, RS485 interface or the CAN bus interface.

A switch on the BM 020 selects which interface to use: P-NET, RS485 or CAN bus.

### SPECIFICATIONS

#### Communication interfaces with BM 020

Ethernet (Modular) .....	10 BASE-T / 100 BASE-TX
1 x P-NET (Light-Link) .....	IEC 61158 Type 4
1 x P-NET (RS485) .....	IEC 61158 Type 4
or	
1 x CAN bus .....	ISO 11898

#### Memory

Parallel FLASH .....	512 KByte
Serial FLASH .....	8 MByte
RAM .....	256 KByte
MRAM .....	32 KByte

#### Power Specifications

Supply voltage (24V Nom) .....	12 - 32 VDC
Peak current (@ 24 VDC) .....	0.7 A
Typ. power consumption (@ 24 VDC) .....	0.5 W

#### Environmental Conditions

Operation temperature .....	-25 °C to +70 °C
Storage temperature .....	-40 °C to +85 °C
Relative humidity .....	< 95 % RH (non-cond.)
Protection class .....	IP40

...continues

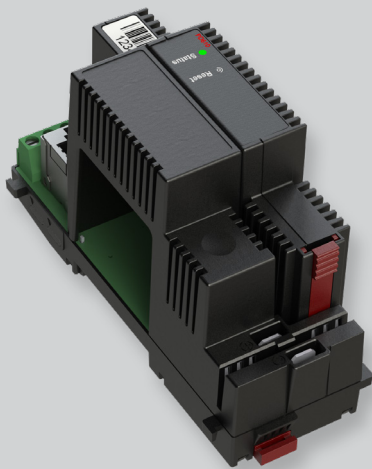
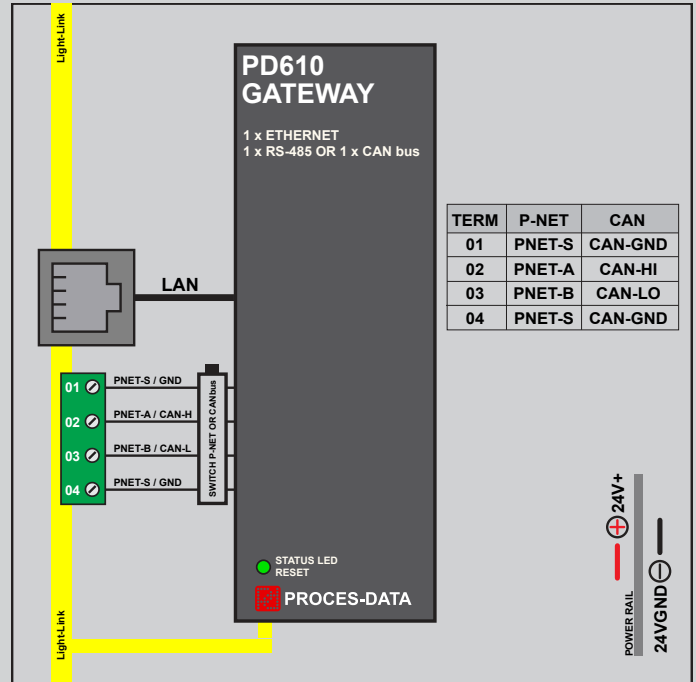
**BASE MODULE BM 020**

PD 600 series DPIs and I/O devices are made up of two parts: The Terminal Base Module and the Electronics Device. The Terminal Base Modules are snap-locked directly onto a DIN-rail and interlock with neighbouring modules to ensure stability.

PPD 610 DPI Gateway Device uses a BM 020 Base Module that provides a RJ45 connector for a 100 Mbit Ethernet communication interface and power supply, as well as guides for the Light-Link interface. Furthermore BM 020 provides terminals for P-NET RS485 interface connections, or CAN bus interface connections and power supply.

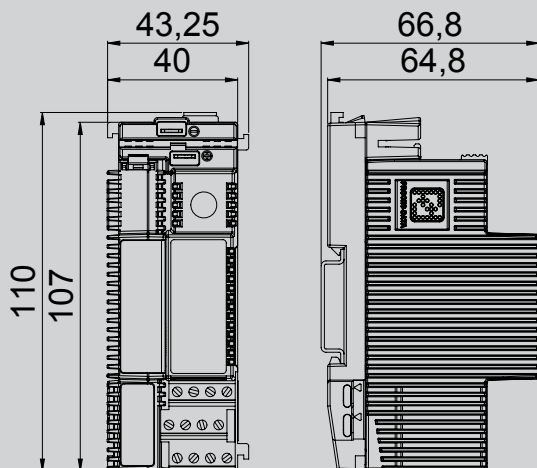
**Power Specifications**

Current supplied by power rail ..... Max. 5 A  
 Current at spade connectors ..... Max. 10 A



Rear View

**MECHANICAL (mm)**



**Mechanical Specifications**

Dimensions (HxWxD) ..... 66.8 x 43.3 x 110 mm  
 Weight approx ..... 125 g  
 Vibration ..... IEC 60068-2-6 : 2007



Navervej 8-10  
 DK-8600 Silkeborg  
 Tel. +45 87 200 300  
 salesdepartment@proces-data.com  
 www.proces-data.com

