

Touch and Hold probe

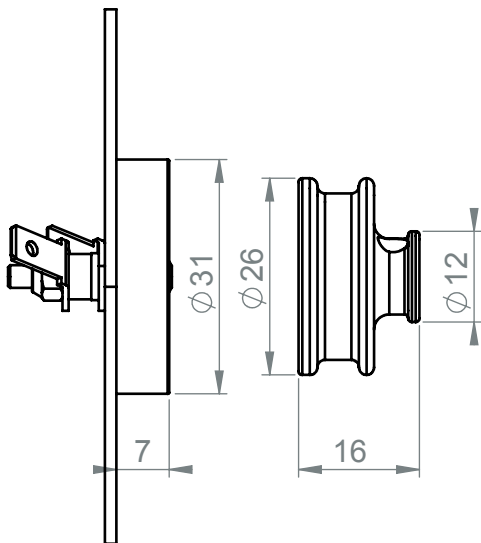


Probe features

- No moving parts
- Vandal-proof
- Simple design
- Easy to install
- Excellent capabilities for catching and holding
- Made of aluminium containing a magnet

Holder features

- Holder for iButtons CAN F5 units
- Spring-loaded iButton
- Robust design – mechanically stable
- Made of stainless steel
- High reliability
- Hole for key ring



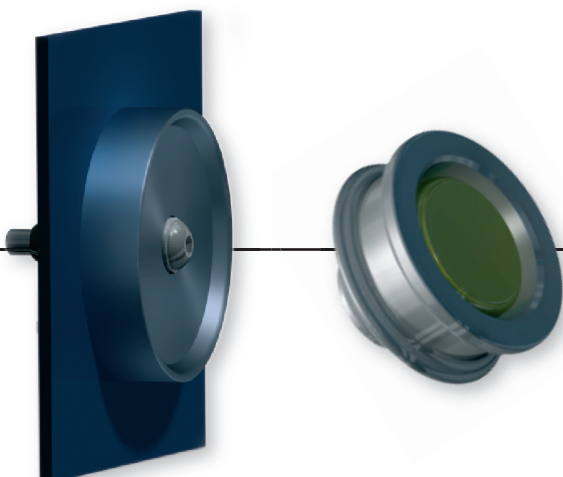
Description

Only the holder includes movable parts. This construction limits the risk of system breakdown, caused by a defective probe, due to rough treatment.

The probe and holder are made of stainless steel, which exhibits a professional design. The probe is made in a magnetic and a non-magnetic implementation.

The state-of-the-art probe and iButton holder have been developed and produced by PROCES-DATA.

www.proces-data.com/iButton_3D.html



PROCES-DATA A/S

Navervej 8-10 - 8600 Silkeborg - Denmark

Phone: +45 87 200 300

salesdepartment@proces-data.com

www.proces-data.com



PROCES-DATA A/S

Mission

Development and production of quality components for process automation.

Core competences

Our core competences are development and production of electronic devices and software for industrial applications.

All hardware and system software is developed in-house by our own staff of engineers.

Development activities at PROCES-DATA include design and layout of electronics, mechanical design, software development for PC and microprocessor based systems.

The product range includes standard fieldbus based hardware modules, such as controllers, I/O-devices, and flow transmitters, as well as components developed for OEM customers' specific requirements.

Customers and industries

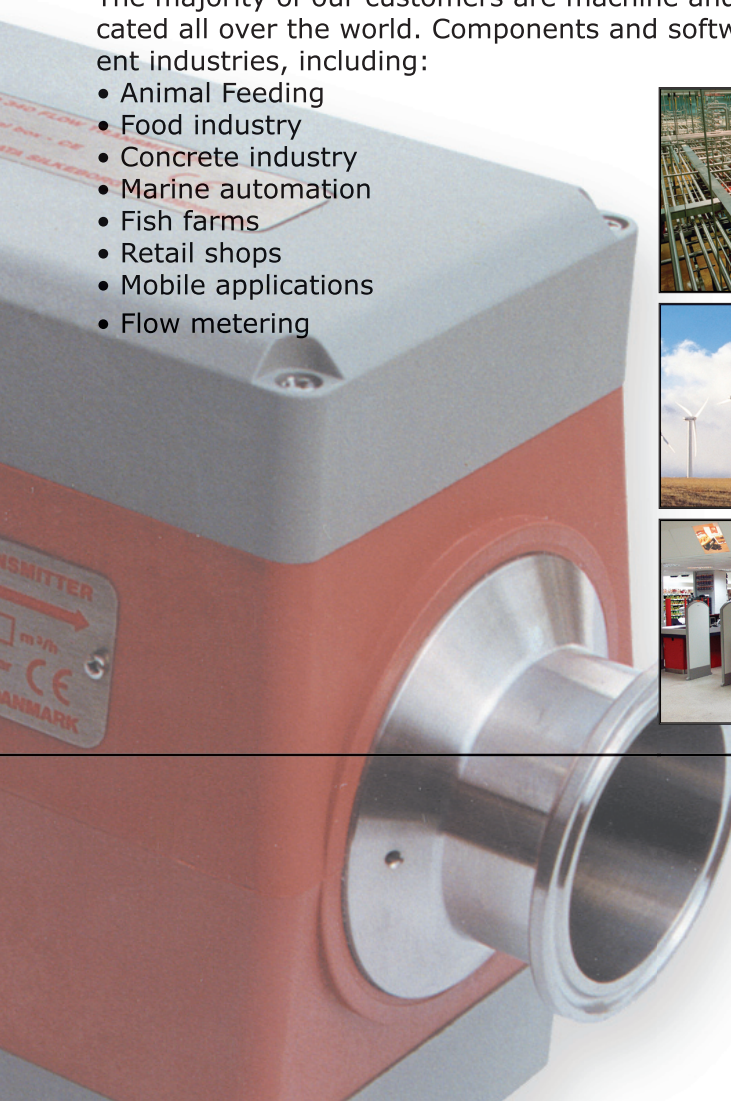
The majority of our customers are machine and process plant manufacturers, system integrators located all over the world. Components and software from PROCES-DATA are used in a variety of different industries, including:

- Animal Feeding
- Food industry
- Concrete industry
- Marine automation
- Fish farms
- Retail shops
- Mobile applications
- Flow metering



Production facilities

Production takes place in our own high-tech production plant, adjacent to the development department. Here, a state-of-the-art SMD production line is immediately available for completely automatic mounting of components on the printed circuit boards used for our electronic modules.



PROCES-DATA A/S

Navervej 8-10 - 8600 Silkeborg - Denmark

Phone: +45 87 200 300

salesdepartment@proces-data.com

www.proces-data.com