



# PD 781 Ex Operator Interface

## FEATURES

- Ex version of PD 681 Operator Interface
- Backlit Graphics 33x200 pixels LCD Display
- 28 Key Membrane click-switch Keyboard
- Red and Green LED indicators
- Acoustic Alarm
- Digital I/O Channel
- P-NET communication via RS485
- P-NET communication via Light-Link
- Panel mounting Sealed to IP65
- See PD 681 Data for more information

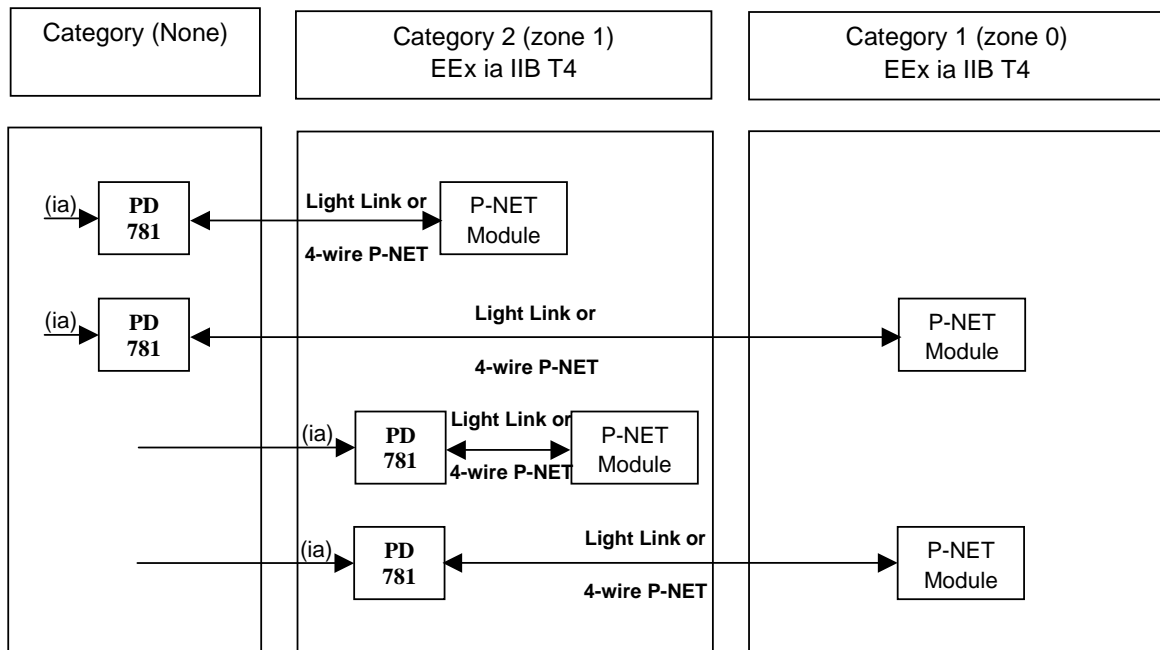


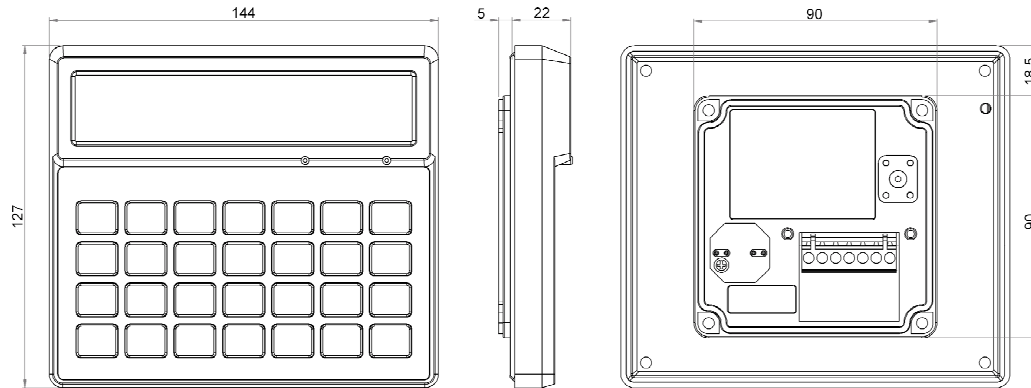
## APPLICATION

The PD 781 is a P-NET slave module, which is designed as an input and display module for Ex environments.

The module is EEx ia IIB T4 approved for category 2.

## Installation guide showing approved configurations:



**Scale drawing (in mm):**

**Case:** Black Noryl GFN3, **Display:** Non-reflecting Glass, **Keyboard Overlay:** Polyester

**Specifications:****Power Supply**

Nominal input voltage	$U_{nom} = 12 \text{ V}$
Minimum input voltage	$U_{min} = 10 \text{ V}$



**Ex-Data:**

Maximum input voltage	$U_i = 13.9 \text{ V}$	Input inductance	$L_i = 10 \mu\text{H}$
Maximum input current	$I_i = 470 \text{ mA}$	Input capacitance	$C_i = 1350 \text{ nF}$
Maximum input power	$P_i = 2.8 \text{ W}$		

**Ambient temperature:**

Operation	$-25 \text{ }^\circ\text{C}$ to $+65 \text{ }^\circ\text{C}$
Storage	$-25 \text{ }^\circ\text{C}$ to $+70 \text{ }^\circ\text{C}$

**Approvals:**



**0102 II 2 G**  
**EEx ia IIB T4**  
**PTB 05 ATEX 2042**

**Ex:**

PD 781 is approved in compliance with the **Ex standard EN50020** (EEx ia IIB T4).

**EMC:**

PD 781 is approved in compliance with the **EMC-directive no 89/336/EEC**.

Test limits are determined by the generic standards:

**EN 61000-6-3:2001** and **EN 61000-6-4:2001** for emission  
**EN 61000-6-1:2001** and **EN 61000-6-2:1999** for immunity.

Produced by:

Distributed by:



**PROCES-DATA A/S**  
 NAVERVEJ 8 • DK-8600 SILKEBORG  
 TEL. +45-87 200 300 info@proces-data.com  
 FAX +45-87 200 301 www.proces-data.com